

Overview

- 0,1 mm
- PNP make function (NO)
- no
- flylead connector M8, L=200 mm
- 50 °C
- IP 67



Picture similar



Technical data

General data

Special type	Liquid level sensor for wastewater
Nominal sensing distance	0.1 mm
Sn	
Mounting type	Non-flush
GND electrode	No
Temperature drift	± 20 %
Sensitivity adjustment	No
Output indicator	LED yellow
Measurement type	Contact with medium

Field of application

Detection of non-conductive media	No
Fill level detection through container	No
Liquids in direct contact	Yes
Object detection / bulk goods	No

Electrical data

Voltage supply range +Vs	10 ... 30 VDC
--------------------------	---------------

Electrical data

Current consumption max. (no load)	12 mA
Output circuit	PNP make function (NO)
Output current	< 200 mA
Voltage drop Vd	< 2.5 VDC
Switching frequency	15 Hz
Short circuit protection	Yes
Reverse polarity protection	Yes

Mechanical data

Type	Cylindrical threaded
Housing material	POM
Material (screw nut)	POM
Material (gasket)	EPDM50
Dimension	12 mm
Housing length	39.5 mm
Connection types	Flylead connector M8, L=200 mm

Ambient conditions

Operating temperature	0 ... +50 °C
Protection class	IP 67

Remarks

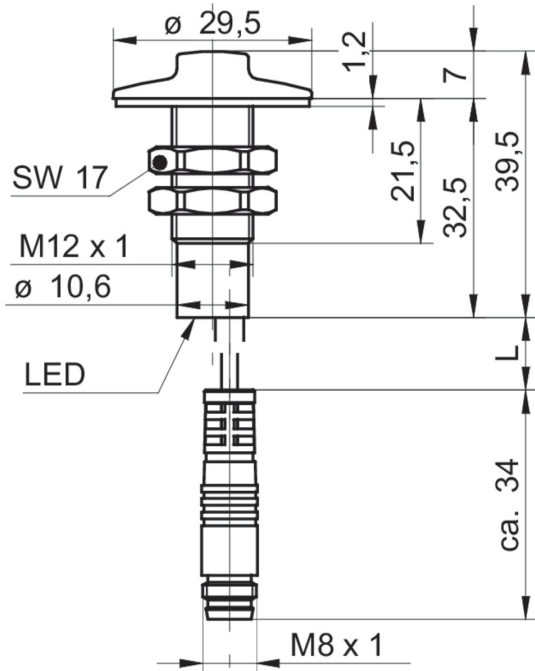
- For installation in grounded metal container
- For use in contaminated media like blackwater
- Switches in contact with highly conductive media
- EMC: EN 60947-5-2:2007+A1:2012

CFAK 12P1140/KS35L

Capacitive proximity sensors

Article number: 11017112

Dimension drawing



Connection diagram

