

**Overview**

- Distance measuring
- 0 ... 3 mm
- PNP / push-pull
- IO-Link
- Cable PUR, 2m
- -20 ... 70 °C
- IP 67



Picture similar



**Technical data**

General data		Electrical data	
Mounting type	Quasi-flush	Reverse polarity protection	Yes
Special type	Linearized	Mechanical data	
Type	Distance measuring	Design	Rectangular
Measuring distance Sd	0 ... 3 mm	Material (sensing face)	PBT
Resolution	< 0.005 mm (High Accuracy Mode)	Housing material	Stainless steel
Repeat accuracy	0.01 mm	Dimension	8 mm
Adjustment	IO-Link	Housing length	24.6 mm
Teach	Single point, Two point, Window	Connection types	Cable PUR, 2 m
Linearity error	± 10 µm (S = 0 ... 2 mm) ± 90 µm (S = 0 ... 3 mm)	Tightening torque max.	0.8 Nm
Temperature drift	± 2 % (Full Scale: S = 0 ... 2 mm) ± 6 % (Full Scale: S = 0 ... 3 mm)	Ambient conditions	
Hysteresis	< 99 % (adjustable)	Operating temperature	-20 ... +70 °C
Electrical data		Protection class	IP 67
Response time (factory characteristic)	< 1 ms	Communication interface	
Switching frequency	1.25 kHz	Interface	IO-Link V1.1
Voltage supply range +Vs	8 ... 30 VDC	Baud rate	230,4 kBaud (COM 3)
Current consumption max. (no load)	15 mA	Cycle time	≥ 0.6 ms
Output circuit	PNP Push-pull IO-Link	Process data length	32 Bit
Output current	50 mA	Process data structure	Bit 0 = SSC1 (distance) Bit 1 = SSC2 (distance) Bit 3 = alarm Bit 4 = SSC3 (frequency) Bit 5 = SSC4 (counter) Bit 16-31 = 16 Bit measurement
Short circuit protection	Yes	IO-Link port type	Class A

The product features and technical data specified do not express or imply any warranty. Technical modifications subject to change.

**Technical data**

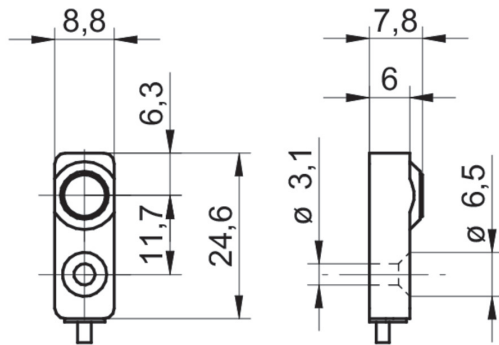
**Communication interface**

Adjustable parameters	Measuring range
	Switching point
	Switching hysteresis
	Measured value filtering
	Time filters
	Output logic
	Output circuit
	Counter
	Deactivate the sensor element

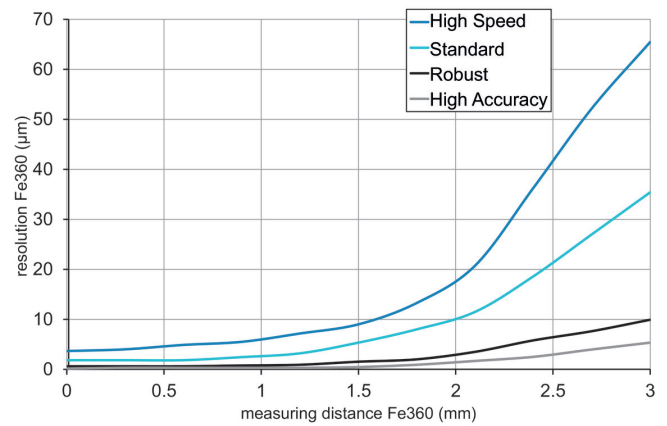
**Communication interface**

Additional data	Distance
	Frequency
	Operating cycles
	Operating hours
	Boot cycles
	Operating voltage
	Device temperature
	Histograms

**Dimension drawing**



**Resolution**



**Connection diagram**

