

Overview

- 0 ... 2 mm
- voltage output
- cable, 2 m
- -10 ... 70 °C
- IP 67



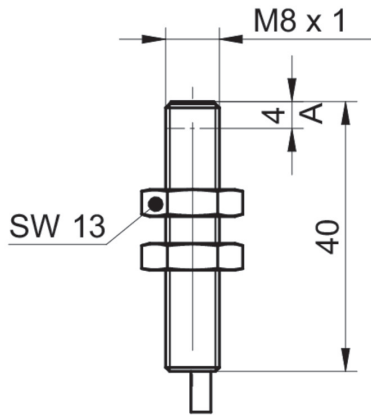
Picture similar



Technical data

| General data | | Electrical data | |
|--|--|-----------------------------|----------------------|
| Mounting type | Flush | Output signal | 0 ... 10 VDC |
| Measuring distance Sd | 0 ... 2 mm | Load resistance | > 4000 Ohm |
| Resolution | < 0.001 mm (stat.) < 0.005 mm (dynam.) | Short circuit protection | Yes |
| Repeat accuracy | 0.02 mm | Reverse polarity protection | Yes |
| Linearity error | ± 60 µm (S = 0,5 ... 1,5 mm) ± 140 µm (S = 0 ... 2 mm) | Mechanical data | |
| Temperature drift | ± 3 % (Full Scale: 0 ... +60 °C) ± 5 % (Full Scale: -10 ... +70 °C) | Design | Cylindrical threaded |
| Electrical data | | Material (sensing face) | PBT |
| Response time (factory characteristic) | < 0.5 ms | Housing material | Stainless steel |
| Voltage supply range +Vs | 12 ... 36 VDC | Dimension | 8 mm |
| Current consumption max. (no load) | 10 mA | Housing length | 40 mm |
| Output circuit | Voltage output | Connection types | Cable, L=2 m |
| | | Tightening torque max. | 10 Nm (A: 7 Nm) |
| | | Ambient conditions | |
| | | Operating temperature | -10 ... +70 °C |
| | | Protection class | IP 67 |

Dimension drawing



Connection diagram

