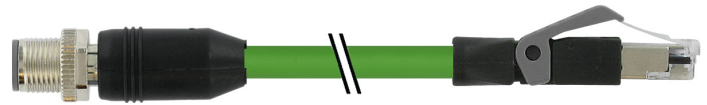


**Overview**

- M12, male, D-coded, 4-poles PUR, 200 cm, shielded; RJ45, male, A-coded, 4-poles
- Suitable for robotics  $\pm 180^\circ/\text{m}$
- Head A: IP67; Head B: IP20
- Cable: good resistance against flames, oils



**Technical data**

**Side A**

|                              |                                       |
|------------------------------|---------------------------------------|
| Head A: Connection           | M12                                   |
| Head A: Angle cable outlet   | 0°                                    |
| Head A: Gender               | Male                                  |
| Head A: Coding               | D                                     |
| Head A: No. of poles         | 4                                     |
| Head A: LED                  | No                                    |
| Head A: Width across flats   | AF13                                  |
| Head A: Tightening torque    | 0.6 Nm                                |
| Head A: Knurled nut material | Zinc-pressure die casting, surface Ni |
| Head A: Body color           | Black                                 |
| Labeling sleeve side A       | Yes                                   |

**Side B**

|                            |       |
|----------------------------|-------|
| Head B: Connection         | RJ45  |
| Head B: Angle cable outlet | 0°    |
| Head B: Gender             | Male  |
| Head B: No. of poles       | 4     |
| Head B: LED                | No    |
| Head B: Body color         | Black |
| Labeling sleeve side B     | Yes   |

**Cables**

|                           |              |
|---------------------------|--------------|
| Cable length              | 200 cm       |
| Length tolerance          | + 10 cm      |
| Shielded                  | Yes          |
| Conductor structure       | 19 × 0.16 mm |
| AWG                       | 22/19        |
| External sheath: Material | PUR          |
| External sheath: Color    | Green        |
| Cable diameter            | 6.6 mm ± 5%  |

**Electrical data**

|                                    |              |
|------------------------------------|--------------|
| Operating voltage                  | max. 60 V DC |
| Operating voltage (only UL listed) | 30 V DC      |
| Nominal voltage                    | 300 V        |
| Contact resistance                 | max. 30 mOhm |
| Operating current per contact      | max. 1.5 A   |

**Mechanical data**

|                              |                          |
|------------------------------|--------------------------|
| Head A: Degree of protection | IP67                     |
| Head B: Degree of protection | IP20                     |
| Bending radius (mobile)      | min. 12 × outer diameter |
| Bending radius (fixed)       | min. 8 × outer diameter  |
| Torsion stress in °          | $\pm 180^\circ/\text{m}$ |

**Environmental conditions**

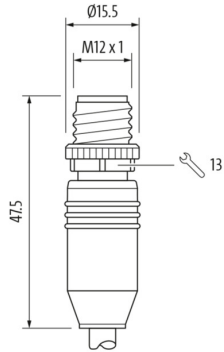
|                                   |  |
|-----------------------------------|--|
| Temperature range (mobile)        | - 20 ...+ 60 °C  |
| Temperature range (fixed)         | - 25 ...+ 80 °C  |
| Cable: Temperature range (fixed)  | - 40 ...+ 80 °C  |
| Dragchain capable                 | No   |
| Head A: Chemical resistance       | No   |
| Head A: Flame resistance          | HB (UL 94)   |
| Head A: Oil resistance            | ASTM 1 oil, mineral oils, limited to hydraulic oils                                |
| Head A: Acid and alkali resistant | No   |
| Head A: Pollution degree          | 3  |
| Head B: Chemical resistance       | No   |
| Head B: Flame resistance          | HB (UL 94)   |
| Head B: Oil resistance            | ASTM 1 oil, mineral oils, limited to hydraulic oils                                |
| Head B: Acid and alkali resistant | No   |
| Head B: Pollution degree          | 3  |
| Cable: Chemical resistance        | No   |
| Cable: Flame resistance           | Conform UL 1581 §1060 (FT1), §1061 (cable flame), §1080 (VW-1), IEC 60332-1-2 Std. |
| Cable: Oil resistance             | Conform IEC 60811-2-1, ICEA S-82-552, ASTM-oil 1 Std.                              |
| Cable: Acid and alkali resistant  | No   |
| Cable: Silicone-free              | Yes  |

**Commercial data**

|        |          |
|--------|----------|
| Eclass | 27061801 |
|--------|----------|

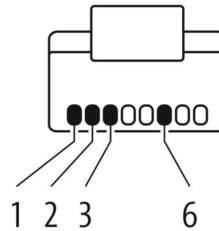
**Side A**

**Technical drawing**

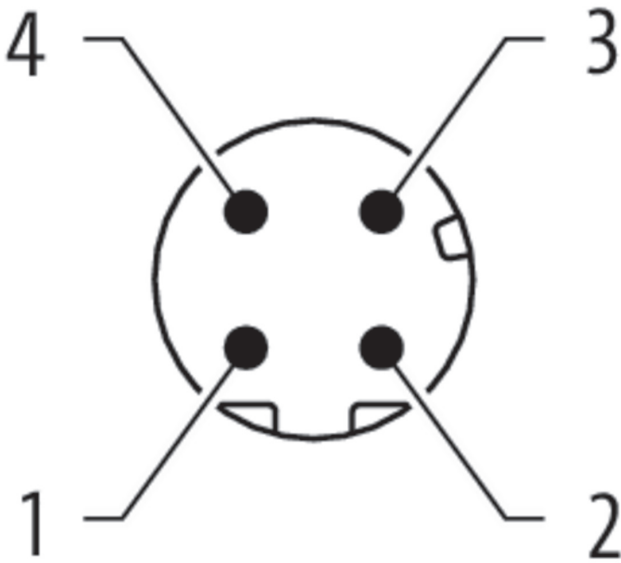


**Side B**

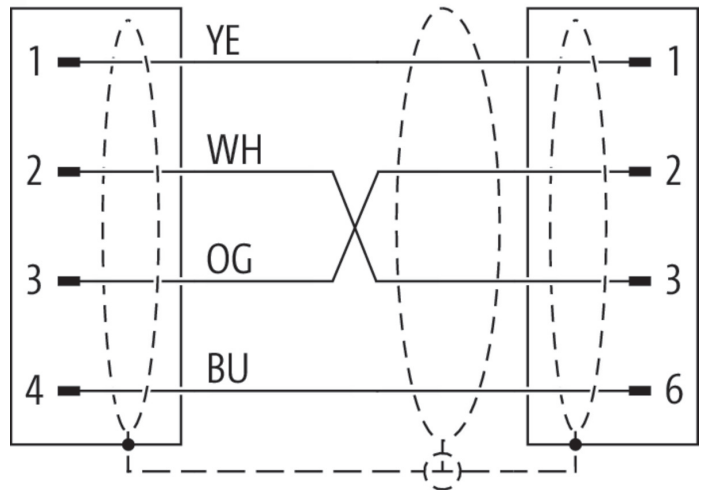
**Coding**



**Coding**



**Connection diagram**



**Side B**

**Technical drawing**

