

Overview

- For Pt100 and thermocouples J, K, T, N
- Display in °C (1/10 °C) or °F (1/10 °F)
- LED display, 4 digits, programmable
- DIN housing 48 x 24 mm



Technical data

Technical data - electrical ratings

Voltage supply	85...265 VAC 100...300 VDC
Nominal frequency	50 / 60 Hz
Power consumption	1.8 W
Display	LED, 7-segment display (with 60 unit stickers for front)
Display color	1 color - red
Number of digits	4-digits
Digit height	10 mm
Display range	-1999...9999 ("OuE" to signal overflow)
Display refresh	250 ms
Function	Digital display of 1 analog measured value
A/D transformer	Principle $\Sigma\Delta$ Resolution 16 bit Measuring rate 25/s Measuring accuracy Pt100 1°: $\pm(0.2\% + 1\text{-digit})$ Pt100 0.1°: $\pm(0.2\% + 4\text{-digit})$ Temp. coeffic. 100 ppm/°C Thermocouple $\pm(0.2\% + 2\text{-digit})$
Analog input	Temperature: Pt100, thermocouples J, K, T
Programmable parameters	Measuring range Resolution 0.1 or 1 °C/°F Measuring unit °C/°F
Limits	Without
Inputs	Temperature sensor Pt100 Thermocouple J, K, T, N

Technical data - electrical ratings

Data memory	>10 years in EEPROM
Analog output	Without
Outputs relay	Without
Standard DIN EN 61010-1	ISO 16750-2 (Electrical loads)
Emitted interference	EN 61000-6-3
Interference immunity	EN 61000-6-2

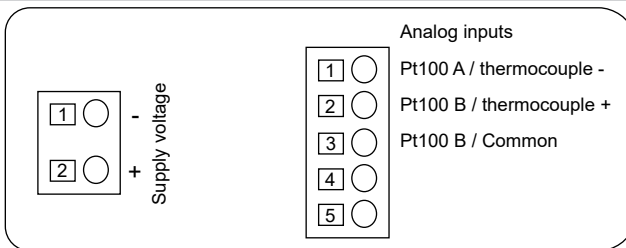
Technical data - mechanical design

Ambient temperature	-10...+60 °C
Storage temperature	-25...+85 °C
Relative humidity	95 % non-condensing
Connection	Spring-loaded terminal connector, detachable
Core cross-section	1 mm ² (Grid 2.54) 2.5 mm ² (Grid 7.62)
Protection EN 60529	IP 65 (face)
Operation / keypad	3 softkeys below bezel
Housing type	Built-in housing
Dimensions W x H x L	1/32 DIN 48 x 24 x 106 mm
Cutout dimensions	45 x 22.2 mm (+0.3)
Mounting depth	95 mm
Mounting type	Front panel installation by clip frame
Weight approx.	50 g
Material	Housing: Polycarbonate, UL 94V-0

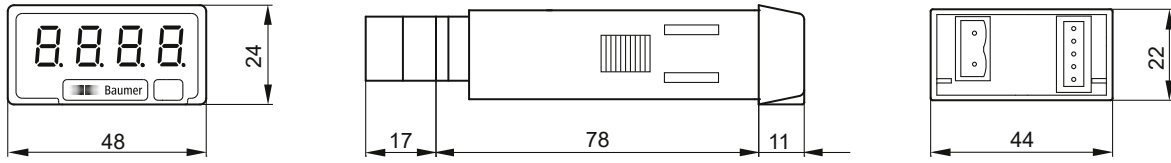
Inputs and outputs

Thermo sensor	Resolution (°)	Resolution (0.1°)
Pt100	-200...+800 °C -328...+1472 °F	-199.9...+800.0 °C -199.9...+999.9 °F
Thermocouple J	-200...+1100 °C -328...+2012 °F	
Thermocouple K	-200...+1250 °C -328...+2282 °F	
Thermocouple T	-200...+400 °C -328...+752 °F	
Thermocouple N	-200...+1250 °C -328...+2282 °F	

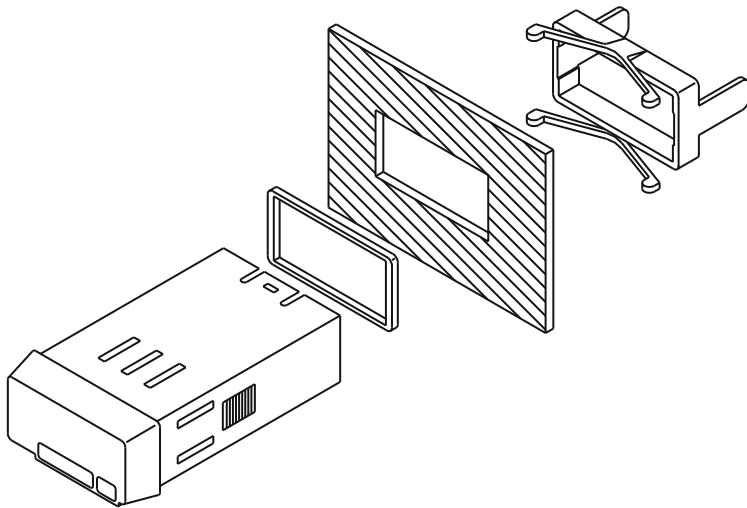
Connection diagram



Dimensions



PA201 - without clip frame



Clip frame mounting