

**Overview**

- Voltage input up to 600 V AC/DC
- Current input up to 5 A AC/DC
- Display range can be linearised
- LED display, 4-digits, programmable
- DIN housing 96 x 48 mm



**Technical data**

**Technical data - electrical ratings**

Voltage supply	20...265 VAC 12...265 VDC
Nominal frequency	50 / 60 Hz
Power consumption	3 W
Display	LED, 7-segment display (with 100 unit stickers for front)
Display color	1 color - red
Number of digits	4-digits
Digit height	14 mm 20 mm
Display range	-1999...9999 ("OuE" to signal overflow)
Display refresh	50 ms
Function	Digital display of 1 analog measured value
A/D transformer	Principle $\Sigma\Delta$ Resolution 16 bit Measuring rate 20/s Measuring accuracy $\pm(0.1\% +3\text{-digit})$ Temp. coeff. 100 ppm/ $^{\circ}\text{C}$
Analog input	Current or voltage input
Programmable parameters	Measuring range Display range can be linearised Decimal point Relay outputs with time delay or hysteresis
Limits	2
Inputs	Voltage up to 600 V AC/DC Current up to 5 A AC/DC

**Technical data - electrical ratings**

Data memory	>10 years in EEPROM
Analog output	Without
Outputs relay	2 change-over contact, floating
Standard DIN EN 61010-1	ISO 16750-2 (Electrical loads)
Emitted interference	EN 61000-6-3
Interference immunity	EN 61000-6-2

**Technical data - mechanical design**

Ambient temperature	-10...+60 $^{\circ}\text{C}$
Storage temperature	-25...+85 $^{\circ}\text{C}$
Relative humidity	95 % non-condensing
Connection	Spring-loaded terminal connector, detachable
Core cross-section	1 mm <sup>2</sup> (Grid 5.08) 2.5 mm <sup>2</sup> (Grid 7.62)
Protection EN 60529	IP 65 (face)
Operation / keypad	Membrane with softkeys
Housing type	Built-in housing
Dimensions W x H x L	1/8 DIN 96 x 48 x 96 mm
Cutout dimensions	92 x 45 mm (+0.3)
Mounting depth	83 mm
Mounting type	Front panel installation by clip frame
Weight approx.	250 g
Material	Housing: Polycarbonate, UL 94V-0

**Inputs and outputs**

**Analog input**

Input	Range	Resolution	Accuracy	Specification
Current AC and DC	1 A	50 µA	±0.1 % (+5 mA)	Input resistance 0.07 Ω
	5 A	200 µA	±0.1 % (+20 mA)	Input resistance 0.014 Ω
	Shunt 60 mV	5 µV	±0.1 % (+300 µV)	Input resistance 2.5 kΩ
	Shunt 100 mV	10 µV	±0.1 % (+300 µV)	Input resistance 2.5 kΩ
Voltage AC	20 V	1 mV	±0.1 % (+30 mV)	Input resistance 0.1 MΩ
	200 V	10 mV	±0.25 % (+300 mV)	Input resistance 1 MΩ
	600 V	25 mV	±0.35 % (+0.9 V)	Input resistance 3 MΩ
Voltage DC	20 V	1 mV	±0.05 % (+25 mV)	Input resistance 0.1 MΩ
	200 V	10 mV	±0.05 % (+250 mV)	Input resistance 1 MΩ
	600 V	25 mV	±0.05 % (+0.7 V)	Input resistance 3 MΩ

Alternating current (AC): signal max. 1 kHz

**Relay outputs**

Relay	Switching voltage max.	Switching current max.	Switching performance max.
2x changeover	250 VAC / 110 VDC	1 A	150 VA / 30 W

**Terminal assignment**

**Voltage supply**

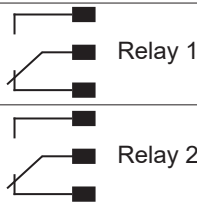
Pin	Assignment
1	Voltage supply -
2	Voltage supply +

**Analog inputs**

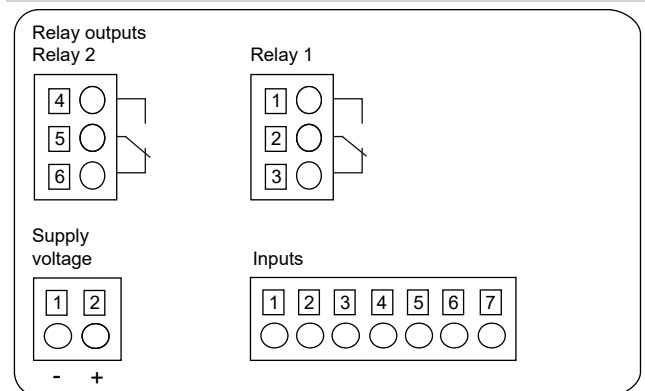
Pin	Assignment
1	Common 0 V
2	Current max. 5 A
3	Current max. 1 A
4	Shunt max. 100 mV
5	Voltage max. 20 V
6	Voltage max. 200 V
7	Voltage max. 600 V

**Limit outputs / two relays**

Pin	Assignment
1	Normally open
2	Changeover
3	Normally closed
4	Normally open
5	Changeover
6	Normally closed



**Connection diagram**

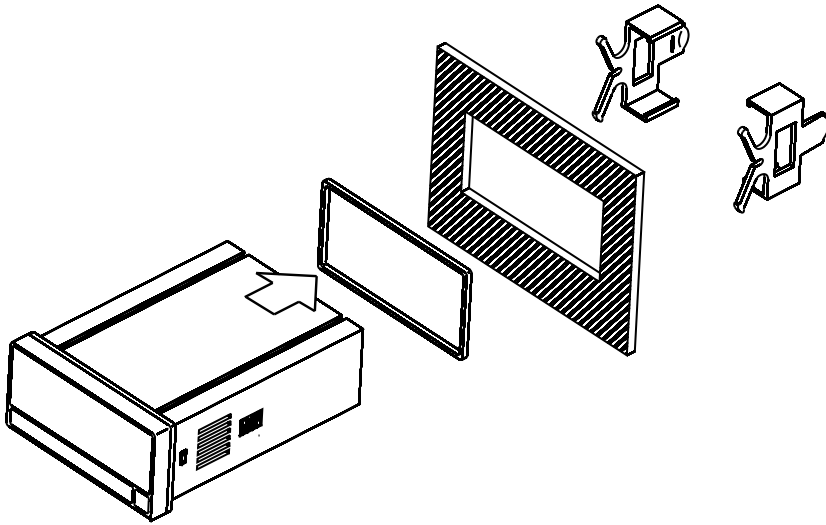
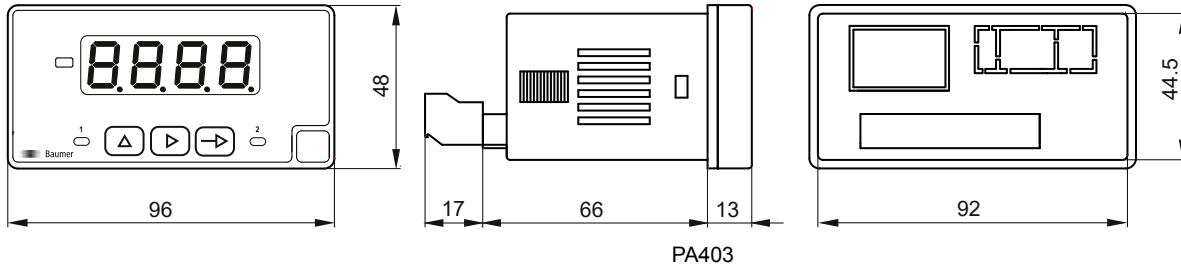


# PA403.018AX01

For current and voltage, with 2 limits

Article number: 11100652

## Dimensions



Clip frame mounting