

Strain Probe with Integrated Amplifier DSRK x16/x20

Features

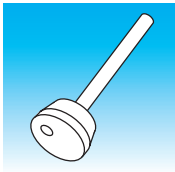
- Strain measurement in deep holes
- Bending compensated by measurement in neutral axis
- Very robust design, maintenance free
- Long lifetime with glued strain gauges
- For permanent installations



Electrical Data	DSRK U	DSRK I
Measuring range	0 ... 1000 $\mu\epsilon$	
Output signal	0 ... 10 VDC	4 ... 20 mA
Output impedance	> 10 k Ω	< 500 Ω
Signal polarity tensile load	positive	
Combined error	< 1% FS	
Frequency range (-3 dB)	120 Hz	
Supply voltage range	18 - 33 VDC	
Current draw	< 50 mA	
Reset input	15 - 45 VDC	
Reset active	> ± 15 V	
Reset inactive	< ± 5 V	
min. Reset pulse	> 1ms	

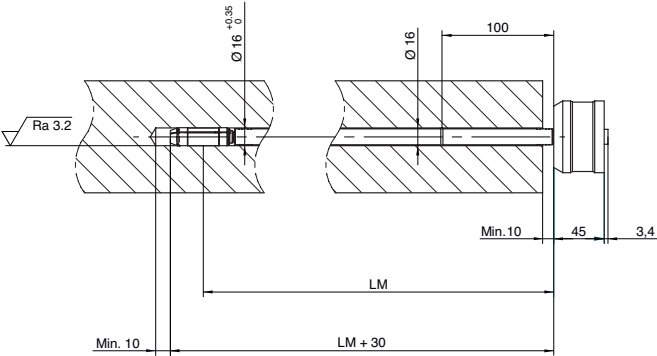
Mechanical Data	
Connection	7 pin male (Series 680/SGR 70)
Material	
- Amplifier enclosure	Aluminum anodized
- Tube	Stainless steel
- Support ring (Type 20)	Aluminum anodized
- Measuring tip	Heat treated steel
Mounting	Hexagon socket 6 mm Installation torque 16 Nm

Environmental Conditions	
Operating temp. range	-5...+85 °C non condensing
Storage temperature	-40...+85 °C
Protection class	IP 54
EMV	EN 61000-6-2 EN 61000-6-3 EN 61326-2-3
UL listed	E217824

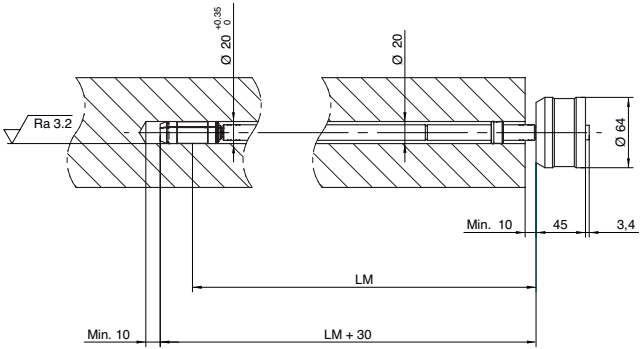


Dimensions (mm)

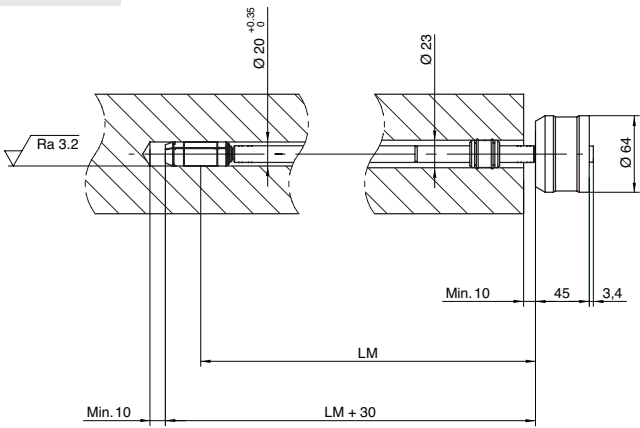
Type 16



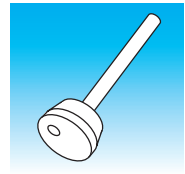
Type 20



Type 20 with option ST23

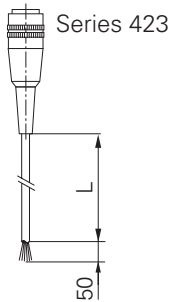


Ø DS = Tip diameter
 LM = Measurement depth
 ϵ = Strain

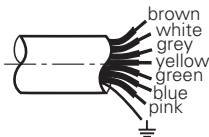


Accessories

Connecting Cable with Flying Leads



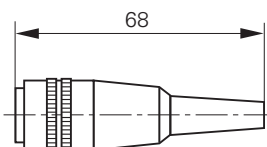
Length	Order Code
5 m	DZCS 05/404155
10 m	DZCS 10/404155



Color	Signal
white	+Vs (18 - 35 VDC)
brown	do not connect
green	Reset (bipolar)
yellow	Reset (bipolar)
grey	+Iout / +Vout
blue	-Iout / -Vout
pink	GND

Straight Connector

Series 423



Part No. 10146423