

Kapazitive Sensoren
Capacitive sensors
DéTECTEURS capacitifs

CFAK 22U9500/AMP

Füllstandssensor

Level sensor

Captteur de niveau



11149600



Baumer Electric AG · CH-8501 Frauenfeld
Phone +41 (0)52 728 1122 · Fax +41 (0)52 728 1144

Canada

Baumer Inc.
CA-Burlington, ON L7M 4B9
Phone +1 (1)905 335-8444

Italy

Baumer Italia S.r.l.
IT-20090 Assago, MI
Phone +39 (0)2 45 70 60 65

China

Baumer (China) Co., Ltd.
CN-201612 Shanghai
Phone +86 (0)21 6768 7095

Singapore

Baumer (Singapore) Pte. Ltd.
SG-339412 Singapore
Phone +65 6396 4131

Denmark

Baumer A/S
DK-8210 Aarhus V
Phone +45 (0)8931 7611

Sweden

Baumer A/S
SE-56133 Huskvarna
Phone +46 (0)36 13 94 30

France

Baumer SAS
FR-74250 Fillinges
Phone +33 (0)450 392 466

Switzerland

Baumer Electric AG
CH-8501 Frauenfeld
Phone +41 (0)52 728 1313

Germany

Baumer GmbH
DE-61169 Friedberg
Phone +49 (0)6031 60 07 0

United Kingdom

Baumer Ltd.
GB-Watchfield, Swindon, SN6 8TZ
Phone +44 (0)1793 783 839

India

Baumer India Private Limited
IN-411038 Pune
Phone +91 20 2528 6833/34

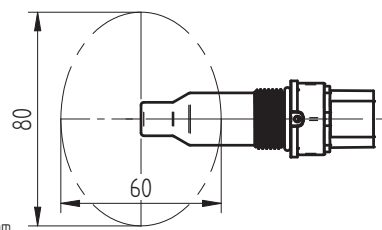
USA

Baumer Ltd.
US-Southington, CT 06489
Phone +1 (1)860 621-2121

www.baumer.com/worldwide

Genauigkeits- grad DIN ISO 2768	0,5 bis 6	über 6 bis 30	über 30 bis 120	über 120 bis 400
f (fein)	+0,05	+0,1	+0,15	+0,2
X m (mittel)	+0,1	+0,2	+0,3	+0,5

Required free space around sensing tip

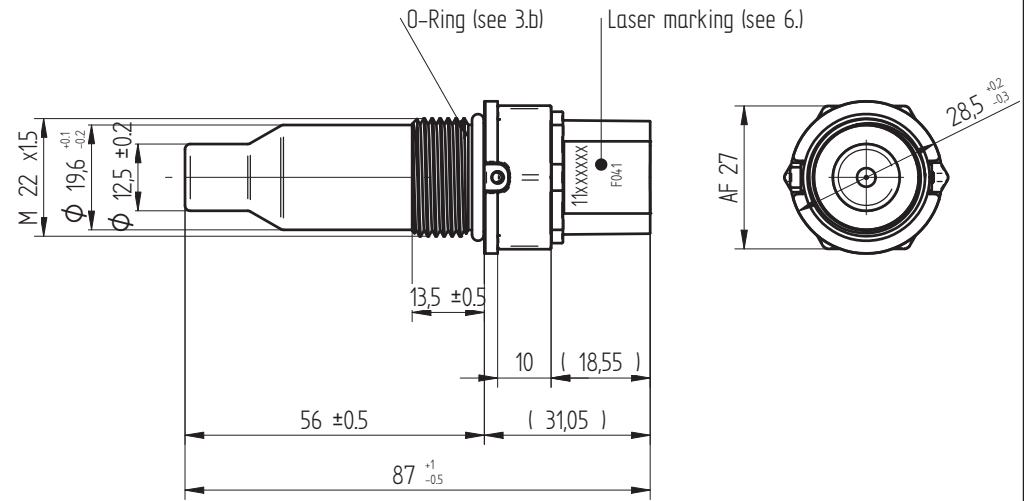
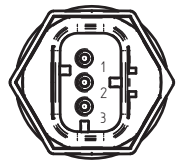


Rotational ellipsoid with main diameters 80mm/60mm
Switching level changes if material is within this free space.
Further testing is recommended to define the new switch level.

NOTES:

1. ELECTRICAL SPECIFICATION
 - a. VOLTAGE SUPPLY RANGE: 4.75V...5.25V
 - b. CURRENT CONSUMPTION: < 10mA (average) / ≤ 42mA (peak)
2. OUTPUT FUNCTION
 - a. HIGH (switch not in liquid): 2.75V...3.25V
 - b. LOW (switch in liquid): 1.25V...1.75V
 - c. INTERNAL FAULT: 0.50V...1.00V
 - d. LOAD: ≥ 930 Ohm to GND
 - e. LOAD CAPACITANCE: ≤ 200nF
3. MECHANICAL DATA
 - a. MOUNTING PORT: M22 x 1.5 O-Ring port ISO 6149-1
 - b. O-RING: 19.3 x 2.2 (SHORE HARDNESS A 90; PEROXID CURED NITRIL RUBBER)
 - c. MOUNTING THREAD LENGTH: 13.5mm
 - d. HEXAGON WIDTH: AF 27
 - e. HOUSING MATERIAL: GRIVORY XE 4027 black 9916
 - f. HOUSING LENGTH: 87mm +1/-0.5
 - g. TIGHTENING TORQUE min:10Nm; max: 14Nm
 - h. SURFACE OF MOUNTING PORT: BLANK METAL, WITHOUT ANY AREAS OF PAINT, GREASE OR OIL
4. AMBIENT CONDITIONS
 - a. STORAGE TEMPERATURE: -55°...+125°C
 - b. MEDIUM TEMPERATURE, CONTINUOUS OP: -40°...+100°C
 - c. MEDIUM TEMPERATURE, UP TO 30min: 115°C
 - d. ENVIRONMENT TEMPERATURE, CONTINUOUS OP: -40°...+85°C
5. SENSOR MEETS THE REQUIREMENTS OF EMC AND ENVIRONMENT ACC. FSP (must be mounted in metal tank)
 - a. ELECTROMAGNETIC SUSCEPTIBILITY:
 - ISO 11452-2 (ALSE-Method) Frequency Range: 200...1000MHz, 100V/m
 - ISO 11452-4 (BCI, CW+AM) Frequency Range: 2...400MHz, 200mA
 - ECE R10 Rev.5:
 - ISO 11452-2 (ALSE-Method) Frequency Range: 400...2000MHz, 30V/m
 - ISO 11452-4 (BCI, CW+AM) Frequency Range: 20...400MHz, 60mA
 - b. COMPONENT LEVEL EMISSION:
 - CISPR 25 (LISN-Method) Frequency Range: 0.53...2MHz;
 - CISPR 25 (CP-Method) Frequency Range: 0.53...2MHz;
 - CISPR 25 (ALSE-Method) Frequency Range: 30...2500MHz
 - ECE R10 Rev.5:
 - CISPR 25 (ALSE-Method) Frequency Range: 30...1000MHz
 - c. ELECTROSTATIC DISCHARGE (Handling): ISO 10605
AIR max. +/- 15kV, Contact max. +/- 8kV
 - d. ELECTROSTATIC DISCHARGE (Powered): ISO 10605
AIR max. +/- 15kV, Contact max. +/- 8kV
 - e. RAPID MAGNETIC FIELD COLLAPSE TRANSIENT: Vp: 450V;
Tau: 14.4E-6; fo: 1MHz; Zout: Rout=50 Ohm/ Cout= 0.1uF;
Repetition/ Cycle: ≤ 10Hz/100
 - f. CLEANING : IP69K acc. ISO 20653
6. PART IS MARKED WITH SUPPLIER LOGO; IDENTIFIER, SUPPLIER
DATE CODE: FIRST CHARACTER = YEAR (F=2015; G=2016, ...); SECOND AND THIRD CHARACTER = CALENDAR WEEK; FOURTH CHARACTER = WEEKDAY (1 MONDAY, 2 TUESDAY,)
7. ONLY FOR HYDRAULIC OIL DETECTION

MATING CONNECTOR
TYCO PIN 776429-1
PIN 1 PWR (5V)
PIN 2 GND (0V)
PIN 3 OUTPUT



						Hydraulic Oil Level sensor		
Anz.	Gegenstand			Pos.	Werkstoff			Bemerkungen
Rev.	Gezeichnet	Freigabe		Rev.	Gezeichnet	Freigabe		Projekt Oil Level Sensor
α	05.06.2015	ts	05.06.2015 wemi					Ersetzt durch
Änd.				Änd.				Ersatz für
PART NUMBER 11149600					Massstab	Gezeichnet	17.10.2013	ts
(CFAK 22U9500/AMP)					1:1	Geprüft	02.04.2015	rma
					1:2	Freigegeben		
Baumer Baumer Electric AG Postfach · Hummelstrasse 17 · CH-8501 Frauenfeld Phone +41 (0)52 728 11 22 · Fax +41 (0)52 728 11 44					11149600		C22.3005	A

Diese Zeichnung ist UNSER EIGENTUM und darf ohne unsere Genehmigung weder nachgebildet, noch vervielfältigt oder Dritten Personen zugänglich gemacht werden.